

HANSEN TECHNOLOGIES CORPORATION

129 West 83rd Street

Burr Ridge, Illinois 60521, U.S.A.

Telex: 206851

(708) 325-1565

FAX: (708) 325-1572

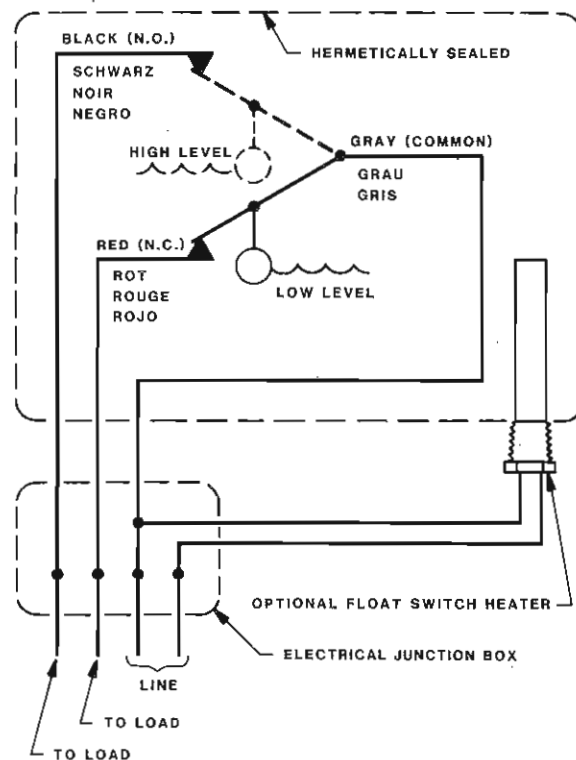
Bulletin HTR
January, 1990

HTR1/HTR2 FLOAT SWITCH HEATER INSTALLATION

1. DISCONNECT ELECTRICAL CONNECTION FROM FLOAT SWITCH ASSEMBLY IF ALREADY INSTALLED AND WIRED.
2. REMOVE THE FLOAT SWITCH ASSEMBLY FROM THE TANK.
3. REMOVE HEX SOCKET ALLEN HEAD PLUG FROM BASE USING 1/4" SIZE ALLEN WRENCH. A LARGE AMOUNT OF FORCE MAY BE REQUIRED TO REMOVE THIS PLUG. IT IS ADVISABLE TO HOLD FLOAT SWITCH ASSEMBLY BY ITS FLATS IN A VISE WHILE REMOVING PLUG.
4. APPLY A SMALL QUANTITY LOCTITE 55441 REFRIGERANT SEALANT OR EQUIVALENT TO 1/4" NPT THREADS OF HEATER AND SCREW INTO FLOAT SWITCH BASE FIRMLY WITH 6" WRENCH.
5. WIRE HEATER AND FLOAT SWITCH ACCORDING TO ATTACHED WIRING DIAGRAM. BE SURE HEATER AND POWER SUPPLY ARE THE SAME VOLTAGE.
6. SINCE THE HEATER ONLY CONSUMES 10 WATTS OF POWER, IT SHOULD ALWAYS BE ENERGIZED TO KEEP THE TRANSPARENT SWITCH HOUSING INTERIOR WARM AND MOISTURE FREE.

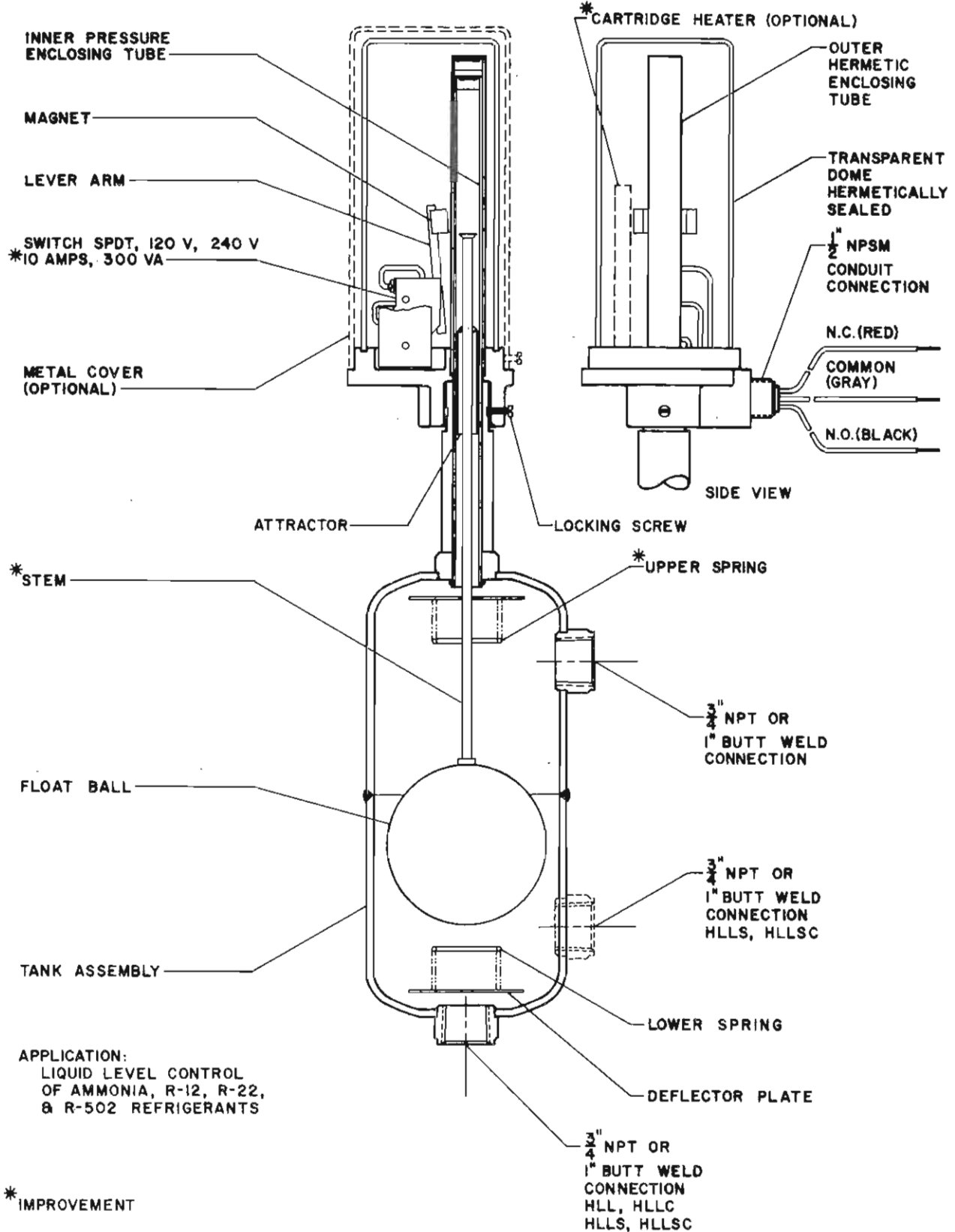
WIRING DIAGRAM - HLL WITH HEATER

<u>CAT. NO.</u>	<u>VOLTAGE</u>
HTR1	115 V/60Hz
HTR2	230 V/60Hz



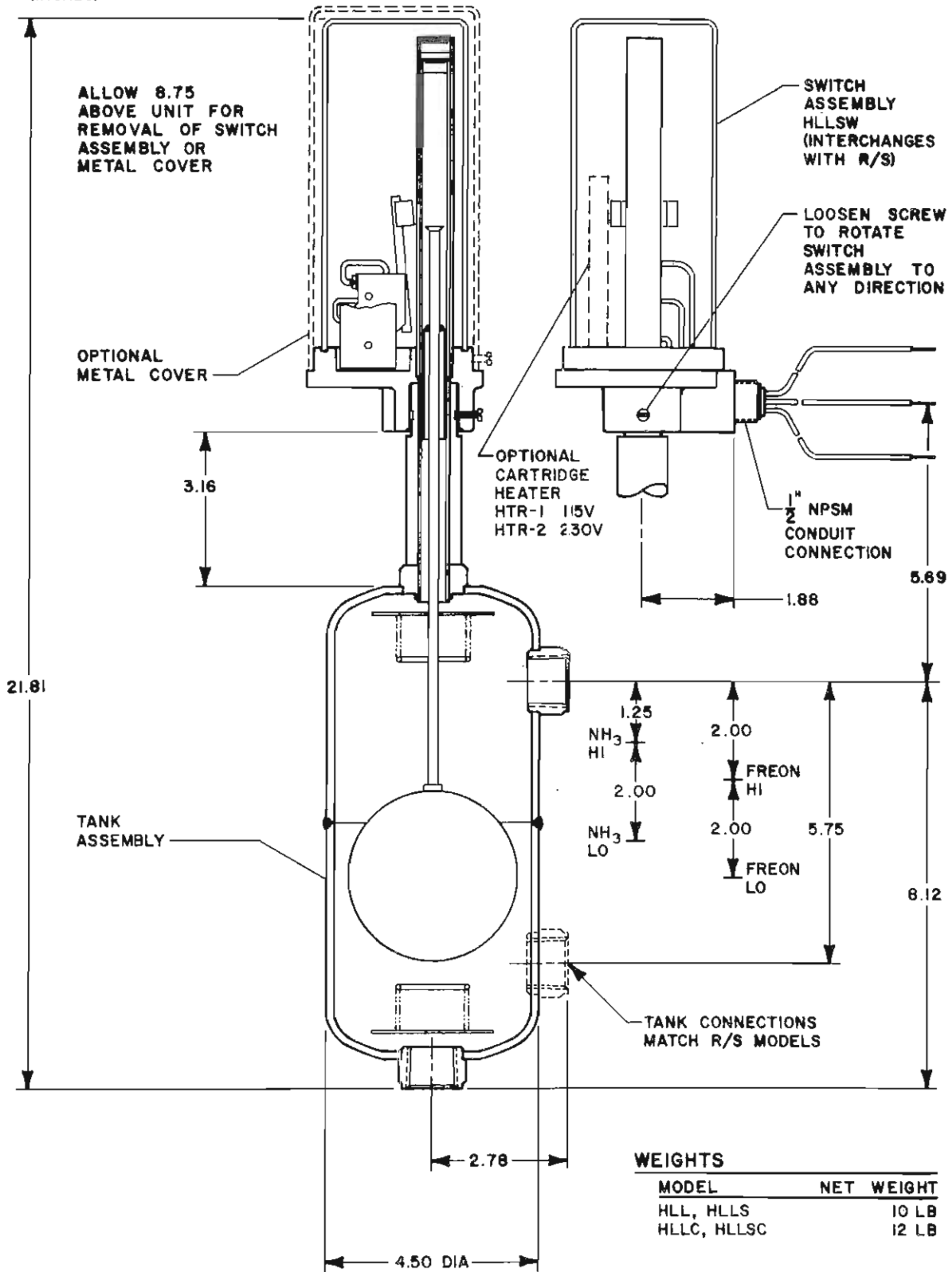
FEATURES

REFRIGERANT FLOAT SWITCH



DIMENSIONS

(INCHES)



WEIGHTS

MODEL	NET WEIGHT
HLL, HLLS	10 LB
HLLC, HLLSC	12 LB