

HANSEN TECHNOLOGIES CORPORATION



SHP
Level Transducer Probes

SVP
Level Transducer Probes

INTRODUCTION

Due to the increasing cost of refrigerants and the existing and pending governmental regulations concerning the escape, leakage and replenishment of refrigerants, more accurate and sophisticated methods are needed to conserve and track refrigerant usage. These level transducer probes are specifically designed to be inserted directly into refrigerant receivers and facilitate the continuous accurate measurement of refrigerant liquid levels. From this, the following results can be achieved: refrigerant loss detection, refrigerant inventory measurements, warnings of excessive refrigerant levels, insufficient refrigerant quantity and other information available as a result of receiver liquid level monitoring. Furthermore, it can become a very valuable troubleshooting tool, aiding in the speedy return to normal refrigeration system operation.

KEY FEATURES

- Solid state - No moving parts
- Full length vertical monitoring
- Proven design; no optics
- 0 to 5 volt D.C. signal output*
- Standard 3/4" NPT fitting
- Custom lengths available
- Watertight NEMA 4 (IP65) enclosure
- Suitable for R22, R134a, and most other new refrigerants as approved

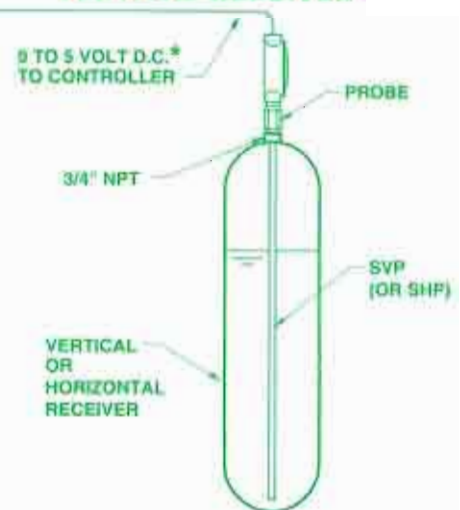
Specifications, Applications, Service Instructions & Parts

S SERIES REFRIGERANT LEVEL TRANSDUCER PROBES

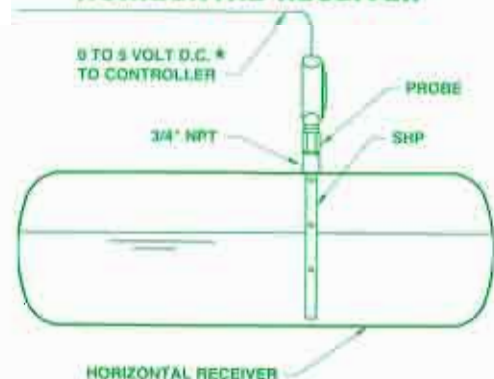
0 to 5 Volt D.C. Output*
for vertical or horizontal
receivers

TYPICAL APPLICATIONS

VERTICAL RECEIVER



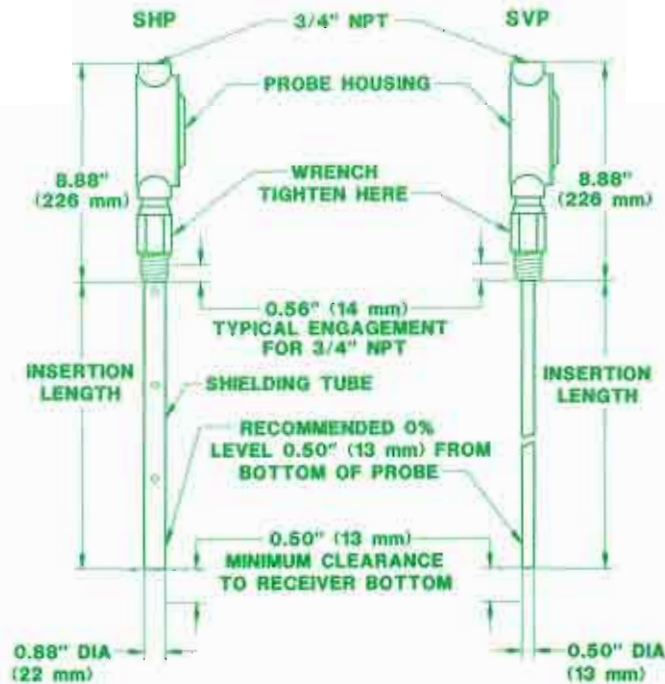
HORIZONTAL RECEIVER



*Or 1 to 6 volt D.C. Output

INSTALLATION DIMENSIONS

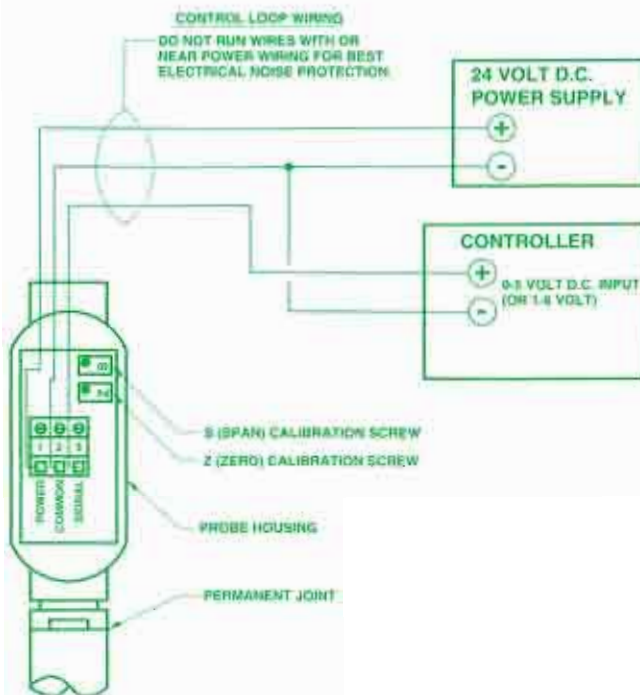
FOR HORIZONTAL RECEIVERS *	
CAT. NO.	INSERTION LENGTH
SHP06	6" (152 mm)
SHP08	8" (203 mm)
SHP12	12" (305 mm)
SHP16	15.3" (387 mm)
SHP20	19.2" (487 mm)
SHP24	23.1" (586 mm)



FOR VERTICAL RECEIVERS *	
CAT. NO.	INSERTION LENGTH
SVP36	36" (914 mm)
SVP48	48" (1219 mm)
SVP54	54" (1372 mm)
SVP60	60" (1524 mm)

* Horizontal Receiver Probes (SHP) should also be used in short (less than 23.1" insertion), narrow (less than 12" diameter) or wide (greater than 20" diameter) vertical receivers.

TYPICAL WIRING DIAGRAM



Important: To protect electronics from moisture, dirt, etc., seal the 3/4" NPT electrical opening on top of probe housing with a watertight cable connector or seal wires inside field installed conduit fitting with silicone sealant.

RE-CALIBRATION INSTRUCTIONS

These transducer probes are accurately factory pre-calibrated for receivers with the specified refrigerant. SHP probes should not require any field adjustment in calibration settings whatsoever unless refrigerant is different. SVP probes are factory calibrated for a 16" diameter vertical receiver and generally will only require re-calibration for other receiver diameters or refrigerants. Unless otherwise requested, probes will be calibrated for R22/R404A. This standard calibration is also suitable (within 5%) for R134a, R507, R23 and R401A. If one determines that a transducer probe is not satisfactorily calibrated or that refrigerant is other than that specified on probe housing, re-calibrate as described below.

These instructions assume a 0 to 5 volt calibration; 1 to 6 volt procedure is the same except values are different. To check voltage output, a volt meter should be installed in parallel with the signal (terminal #3) and common (terminal #2) leads of the control loop. Disconnect signal from computer or controller and measure output across terminals 2 and 3.

Lower the refrigerant level in the receiver to a level equal to 0%; the volt meter should display 0.05 volts D.C. If not, adjust the Z (zero) calibration screw. Probe electronics will not adjust to zero (0.00) volts.

Raise the liquid level in the receiver to the 50% level or some other known level. The volt meter should display 2.5 volts D.C. for a 50% probe immersion level. For other levels, the corresponding equivalent voltage should be displayed. If not, adjust the S (Span) calibration screw.

MATERIAL SPECIFICATIONS

ELECTRICAL

Signal Output: 0 to 5 volt D.C. (or 1 to 6 volt) proportional to liquid level
Maximum Load: 10 K ohms
Power Consumption: 1 VA maximum
Supply Voltage: 11 to 47 volt D.C.
Ambient Temperature Range: 50F to 125F (10 to 52°C)
Enclosure: NEMA 4, watertight (IP65)
Linearity: Typically $\pm 2\%$ of actual

MECHANICAL

Safe Working Pressure: 400 PSIG (27 bar)
Refrigerant Temperature: 50F to 150F (10 to 65°C)
Heavy-duty Construction for other temperatures
Probe: Stainless steel, teflon enclosed
Shielding Tube: Stainless steel (SHP models only)
Fitting: Steel, zinc chromate plated
Threads: $\frac{3}{4}$ " NPT

APPLICATION

Horizontal Receivers: 6" to 24" diameter
Vertical Receivers: 12" to 20" diameter
(other diameters need special engineering)

ADVANTAGES

These level transducer probes are normally supplied factory pre-calibrated and tested. There are no moving parts to break, jam or fail. Probe-to-receiver connection is simple $\frac{3}{4}$ " NPT. Probes provide a regulated 0 to 5 volt D.C. output proportional to liquid level, but can be calibrated for 1 to 6 volt D.C. output. This signal is already commonly used with supermarket refrigeration rack system controllers, PLC's, and other accessories for various purposes. The signal output is conditioned to ignore normal turbulence inside receiver to provide a steady, accurate indication of level.

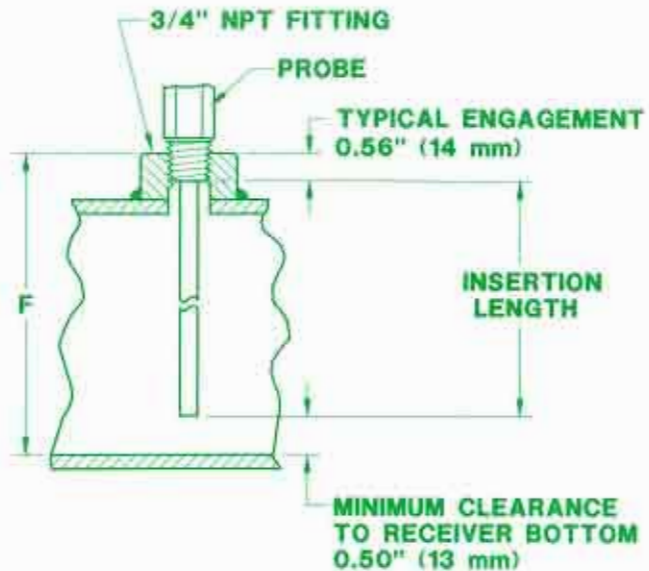
These probes enable user to easily and precisely set up: high level alarm/cutout, low level alarm/cutout, level monitoring and refrigerant inventory calculation. If signal is input to a PLC or rack system controller with modem capabilities, it can be accessed remotely by a central office, local contractor, or electronics manufacturer for trouble-shooting, refrigerant inventory control or other purposes.

Installation of probes into a separate level column is not normally necessary. If desired, horizontal receiver probes (SHP models) usually can be directly inserted without modification into level columns. For vertical receiver probes (SVP models), special construction or calibration may be required, contact factory.

Heavy-duty Construction is available for nonstandard applications where the ambient or refrigerant temperature range is exceeded, probe is inserted into cold evaporators or accumulators, or for outdoor use. This version includes an extended probe body neck, special electronic temperature compensation, and epoxy resin encapsulated electronics for extra moisture protection.

INSTALLATION

To select proper probe size, receiver inside height and fitting length should be known, see diagram below. Subtract 1.06" or 27 mm (typical engagement plus probe minimum clearance to receiver bottom) from "F" dimension; the result is the maximum possible insertion length of probe. Actual probe insertion length may be less, perhaps down to the next standard insertion length, provided it is long enough to measure lowest desired receiver level. Minimum clearance is suggested to avoid possible damage to probe by running it into the bottom of the receiver. Probe insertion length can not be changed in the field.



Locate fitting away from liquid inlet of receiver to avoid splashing probe with incoming refrigerant. Also, avoid possible probe interference with dip tube or other internal parts. Adequate clearance above the $\frac{3}{4}$ " FPT fitting on the receiver should be provided for installation and removal of probe without bending.

Carefully remove probe from carton. Use proper sealant on probe-to-receiver connection (for SVP electrical contact is required via the NPT threaded fitting; do not use teflon tape). Insert into the NPT opening on the receiver. Tighten probe on hex; do not grip probe housing. Pressurize receiver and test for leaks.

ELECTRICAL

These level transducer probes are low voltage, three wire devices. Control loop wiring size should be at least 20 AWG (0.5 mm²) and limited to 100 ft. (30 m) in length. For best electrical noise protection, do not run control loop wiring with or near power wiring. See page 3 for typical wiring diagram. If erratic output occurs, verify proper operation by placing probe on separate power supply. Then disconnect output signal from computer and measure output using voltmeter (terminal #2 and #3).

CAUTION

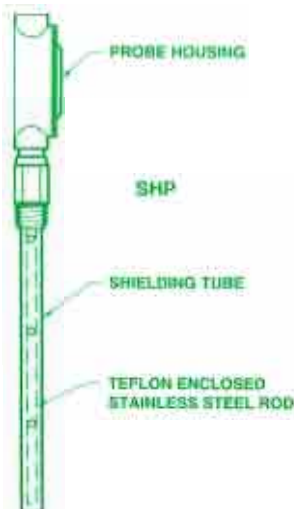
These transducer probes have been designed for refrigeration systems. These instructions and related safety precautions must be completely read and understood before selecting, using or servicing these probes. Only knowledgeable, trained refrigeration mechanics should install, operate or service these probes. Stated temperature and pressure limits should not be exceeded. Probes should not be removed from receiver unless system has been evacuated to zero pressure. Escaping refrigerant might cause personal injury, particularly to the eyes and lungs.

WARNING: As with all electronic and mechanical components, there is a limited life expectancy. An expected life of seven to ten years is typical. This should be understood as only a suggested replacement time period. Actual condition and performance of electronics due to ambient conditions, quality of electrical current, voltage, etc. may necessitate a different replacement schedule. Regardless, probes should be inspected at least annually to insure their safe and continuous service. See also Safety Precautions in current List Price Bulletin and Safety Precaution Sheet supplied with product.

PRINCIPLES OF OPERATION

These probes are capacitance type level transducers. Capacitance is an electrical measurement which is commonly used to indicate an object's potential to store electricity. These objects usually consist of two electrodes with a medium separating them.

With Hansen level transducer probes, the teflon enclosed stainless steel rod acts as one electrode, the stainless steel perforated shielding tube (SHP models) or vertical receiver wall (SVP models) acts as the other, and separating them is the refrigerant liquid and vapor. Because the potential to store electricity is far greater for refrigerant liquid than that of vapor, capacitance changes nearly proportionally with the refrigerant liquid level. With this information, the electronics can calculate the percentage of the probe immersed in liquid refrigerant and supply an appropriate output signal.



ORDERING INFORMATION, LEVEL TRANSDUCER PROBES

FOR HORIZONTAL RECEIVERS		
CAT. NO.	INSERTION LENGTH	
SHP06	6"	(152 mm)
SHP08	8"	(203 mm)
SHP12	12"	(305 mm)
SHP16	15.3"	(387 mm)
SHP20	19.2"	(487 mm)
SHP24	23.1"	(586 mm)
SHPXX	CUSTOM LENGTH	

Horizontal Receiver Probes (SHP) should also be used in short, narrow or wide vertical receivers.

FOR VERTICAL RECEIVERS		
CAT. NO.	INSERTION LENGTH	
SVP36	36"	(914 mm)
SVP48	48"	(1219 mm)
SVP54	54"	(1372 mm)
SVP60	60"	(1524 mm)
SVPXX	CUSTOM LENGTH	

For vertical receivers 12" to 20" diameter (other diameters need special engineering).

TO ORDER: Specify the catalog number, refrigerant and factory calibration: 0 to 5 volt or 1 to 6 volt. Custom Insertion Length probes and Heavy-duty Construction options are available at an additional cost, but may take longer to manufacture and are nonreturnable.

For commercial refrigeration applications where an electronic signal is not desired, probes are available to operate using line voltage having two adjustable 10 amp SPDT relays. This is known as the Level Cat® option.

For industrial refrigeration applications which may require special electronic "noise" isolation, greater temperature range, cable length, control units, etc.; contact Hansen for information on industrial refrigeration level controls and monitoring devices—such as Vari-Level® Adjustable Level Controls with control unit and level probe, and Techni-Level® Transducer Probes with direct 4-20 mA output.

WARRANTY

Hansen electronics are guaranteed against defective materials or workmanship for 90 days F.O.B. factory. All other components are guaranteed for one year F.O.B. factory. No consequential damages or field labor is included.

HANSEN TECHNOLOGIES CORPORATION

6827 High Grove Boulevard
Burr Ridge, Illinois 60521 U.S.A.
Telephone: (708) 325-1565
Outside IL: 1-800-426-7368
FAX: (708) 325-1572

Printed in U.S.A.

© 1995 Hansen Technologies Corporation