

PRODUCT DATA SHEET: Weld-in-Line Control Valves

INTRODUCTION

Hansen Technologies offers a complete line of direct weld-in-line control valves for refrigeration systems, thereby eliminating flange gasket leakage. Products include pressure regulators, solenoid valves, sealed motor valves, check valves, suction stop valves and strainers; sizes up to 6" (150 mm) based on valve model.

These weld-in-line valves utilize the same proven, serviceable components as the standard Hansen valves. They are ideally suited for both ammonia and halocarbon refrigeration systems. Valves for CO₂ service are also available and are painted yellow for easy identification.

SPECIFICATIONS

- Body: Cast steel, ASTM A352, LCB
- Bonnet: Ductile iron, ASTM A536
- Safe Working Pressure: 400 psig (28 bar)
600 psig (40 bar) optional for CO₂
- Temperature Range: -60°F to +240°F
(-50°C to +115°C)
- Control Valve Sizes: 3/4" to 6" (20mm to 150mm)
- Connection Types:
3/4" to 2-1/2" (20mm to 65mm) Socket Weld
3" to 6" (80mm to 150mm) Butt Weld

FEATURES

- Eliminates potential flange leaks
- Weldable without disassembly
- Same parts as Hansen flanged valves; no extra parts to stock
- Lighter installed weight
- Stronger connection
- Easier to insulate than flanged valves
- Suitable for Ammonia, Halocarbons, CO₂ and other Hansen approved refrigerants
- CE mark available



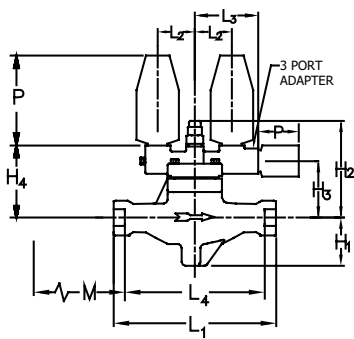
HS4W

ORDERING INFORMATION

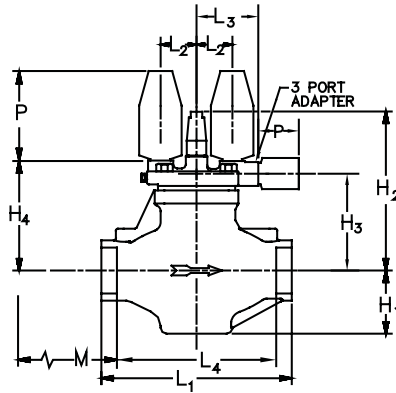
Valve Types	Model Numbers
Pressure Regulators	HA4W
Solenoid Valves	HS4W HS8W*
Sealed Motor Valves*	HMMRW/HMMRWC HMMVW/HMMVWC HMSVW/HMSVWC
Check Valves	HCK1W
Suction Stop Valves	HCK2W HCK5W HCK5DW* HS9BW
Strainers	STW

***NOTE:**

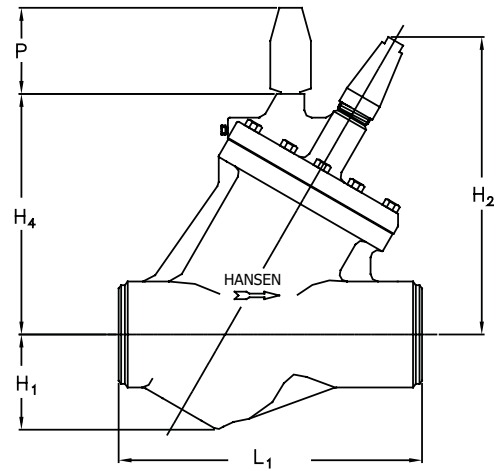
Sealed Motor Valves available up to 4" (100mm),
HCK5DW available 1-1/2" to 4" (40-100mm),
HS8W available as 1/2" and 3/4" (13mm and 20mm) with
integral strainer.



**3/4" thru 2-1/2"
SOCKET WELD VALVE**



**3" and 4"
BUTT WELD VALVE**



**5" and 6"
BUTT WELD VALVE**

INSTALLATION DIMENSIONS

Port Size (mm)	Style	H ₁	H ₂	H ₃	H ₄	L ₁	L ₂	L ₃	L ₄	M	W*
3/4", 1", 1-1/4" (20,25,32)	SW	3.07" (78)	6.90" (175)	3.88" (99)	4.76" (121)	10.44" (265)	2.38" (60)	4.07" (103)	9.00" (229)	9.78" (248)	3.56" (90)
1-1/2", 2" (40, 50)	SW	2.87" (73)	8.84" (225)	4.90" (124)	5.72" (145)	10.38" (264)	2.35" (60)	4.04" (103)	8.94" (227)	10.44" (265)	4.64" (118)
2-1/2" (65)	SW	3.62" (92)	9.69" (246)	5.57" (141)	6.53" (166)	11.38" (289)	2.35" (60)	4.04" (103)	9.38" (238)	10.44" (265)	5.62" (143)
3" (80)	BW	4.06" (103)	10.00" (254)	6.03" (153)	6.88" (175)	12.25" (311)	2.35" (60)	4.04" (103)	-	-	6.50" (165)
4" (100)	BW	4.69" (119)	10.56" (268)	6.58" (167)	7.46" (189)	14.12" (359)	2.69" (68)	4.38" (111)	-	-	8.06" (205)
5" (125)	BW	6.40" (163)	20.00" (508)	-	16.58" (421)	20.40" (518)	-	-	-	-	12.75" (324)
6" (150)	BW	6.40" (163)	20.00" (508)	-	16.58" (421)	20.40" (518)	-	-	-	-	12.75" (324)

M = Additional length for close-coupled strainer. Strainer connections socket weld inlet by butt weld outlet.

* Maximum width of valve

** Dimensions shown for solenoid and regulator valves. The overall lengths (L₁ and L₄) are the same for check valves, strainers, gas-powered check valves and sealed motor valves.

Note: For 3/4", 1", 1-1/4" valves add 3" (80 mm) to one side of the valve for external piping as found on HA4WO and HA4WL.

"P" DIMENSION FOR CONTROL MODULES

Catalog	M3	M3W	MS	M3O	M3K	M3KW	M3L	M3P	M3J	M3T	M3E25	M3M
Size (mm)	6.5" (165)	5.12" (130)	3.25" (83)	7.75" (197)	6.5" (165)	5.12" (130)	6.5" (165)	6.5" (165)	4.63" (118)	4.5" (114)	1" (25)	14.9" (378)

For more information, visit:

WWW.HANTECH.COM

HANSEN TECHNOLOGIES CORPORATION

TEL 630.325.1565 FAX 630.325.1572 EMAIL INFO@HANTECH.COM WWW.HANTECH.COM