

HANSEN TECHNOLOGIES CORPORATION



HGV1: Long Neck®

INTRODUCTION

These specially designed refrigerant gauge, purge, and needle valves feature tough, forged steel bodies, compact size, and polished stainless steel stems. Their patented O-ring plus packing dual seal design and polished stainless steel stem provides a leakage free packing. Safety stems are designed to be non-removable from the body to avoid dangerous stem "blow out".

APPLICATION

These Hansen-made valves are suitable with seal caps for ammonia, R22, R134a, and other approved refrigerants. They are also available with bar handles or bare stems for ammonia. Often used to isolate pressure gauges on regulators, these valves may also be used to pumpout, purge and meter refrigerant liquid or gas. They are not recommended for oil drain because the port is too small for viscous oil. The Long Neck® valves provide additional length for insulation and pressure gauge turning clearance.

MATERIAL SPECIFICATIONS

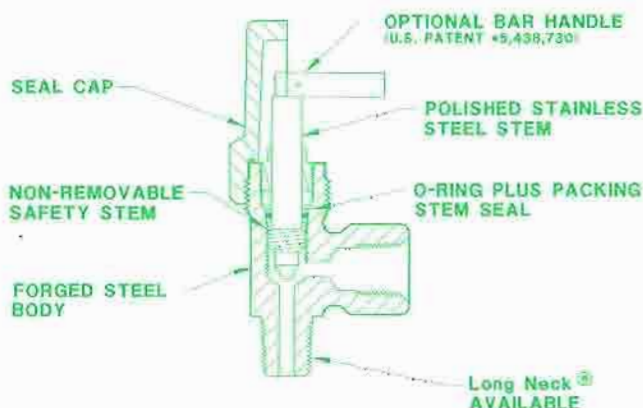
Body: Forged steel, zinc plated
 Stem: Stainless steel, polished, 1/4" square flats
 Stem Packing: Graphite composite plus neoprene O-ring
 Packing Nut: Steel, zinc plated
 Seal Cap: Glass filled polymer
 Seal Cap O-ring: Neoprene
 Bar Handle: Steel, zinc plated
 Safe Working Pressure: 400 PSIG (27 bar) SWP
 Operating Temperature: -60F to 240F (-50 to +115°C)

Specifications, Applications, Service Instructions & Parts

GAUGE, PURGE, AND NEEDLE VALVES

1/4", 3/8" MPT or FPT
 Globe & Angle
 for refrigerants

KEY FEATURES



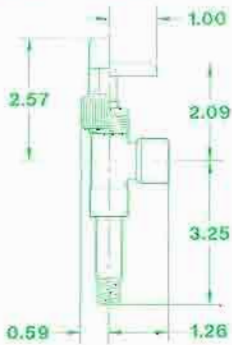
ORDERING INFORMATION

| DESCRIPTION | *SEAL CAP | BAR HANDLE | BARE STEM |
|----------------------------------|-----------|------------|-----------|
| 1/4" MPT X FPT, Angle Long Neck® | HGV1 | HGV1H | HGV2 |
| 1/4" MPT X FPT, Angle | H7771 | H7771H | H965 |
| 1/4" FPT X FPT, Angle | H7772 | H7772H | H967 |
| 1/4" FPT X FPT, Globe | H957C | H957H | H957 |
| 3/8" MPT X FPT, Angle | H7773 | H7773H | -- |
| 3/8" FPT X FPT, Angle | H7774 | H7774H | -- |
| 3/8" FPT X FPT, Globe | H958C | H958H | -- |

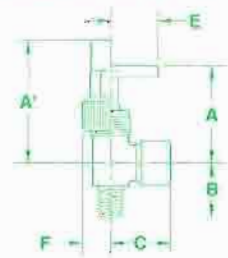
* Necessary for Fluorocarbons.

TO ORDER: Specify Catalog Number.

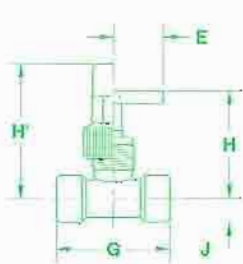
INSTALLATION DIMENSIONS (inches)



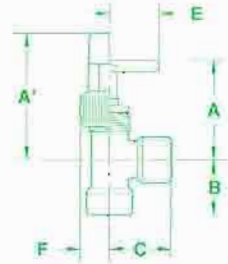
MPT X FPT, Long Neck®



MPT X FPT, ANGLE



FPT X FPT, GLOBE



FPT X FPT, ANGLE

| SIZE | A | A' | B | C | E | F | G | H | H' | J |
|------|------|------|------|------|------|------|------|------|------|------|
| 1/4" | 2.09 | 2.57 | 1.11 | 1.26 | 1.00 | 0.59 | 2.28 | 2.22 | 2.71 | 0.47 |
| 3/8" | 2.94 | 3.57 | 1.44 | 1.88 | 1.63 | 0.72 | 3.22 | 3.07 | 3.70 | 0.59 |

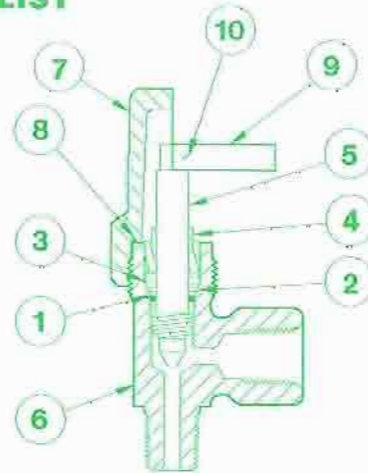
SERVICE AND MAINTENANCE

Hansen gauge valves require practically no service or maintenance. Tightening of the packing nut is seldom necessary because the O-ring portion of the dual seal design is primary and continuous. However, if tightening is ever needed, use a 3/8" open end wrench or an 8" adjustable wrench. Extrusion of some black graphite packing material along the stem is normal.

If the O-ring or the adjustable packing ever needs replacement as evidenced by refrigerant or oil leakage at the stem, isolate valve from the system and evacuate to zero pressure. Protect eyes. Bar Handle can be removed by driving handle off; tap back on to reinstall. Remove the packing nut carefully and then use a wire hook or a small blade screwdriver to remove the packing (washer and O-ring if possible). Take care not to scratch the stem or body sealing surfaces. The "safety stem" is non-removable to prevent "blow out" possibility. Carefully install a new packing, packing nut, and washer and O-ring if removed; tighten the packing nut only enough to give stem slight turning friction of about 5 ft. lbs.

Seal caps or bar handles can be easily retro-fitted to valves in the field. All bodies have seal cap threads; simply screw seal cap with o-ring onto these threads. Bar handle kit comes with pin partially installed in handle. Place handle on stem and turn clockwise to close valve. Begin to push pin through handle and valve stem using pliers, then tap with hammer to finish.

PARTS LIST



| ITEM | DESCRIPTION | QTY | PART NO | |
|------|-----------------------|-----|----------------|----------------|
| | | | 1/4" | 3/8" |
| | Gasket Kit | | 50-1070 | 50-1074 |
| 1 | Stem O-ring | 1 | 50-0558 | 50-0179 |
| 2 | Stem Washer | 1 | 50-0551 | 50-0046 |
| 3 | Stem Packing | 1 | 50-0554 | 50-0045 |
| 4 | Packing Nut | 1 | 50-0552 | 50-0013 |
| | Seal Cap Kit | | 50-1071 | 50-1036 |
| 7 | Seal Cap | 1 | 50-0411 | 50-0423 |
| 8 | Seal Cap O-ring | 1 | 70-0011 | 70-0432 |
| | Bar Handle Kit | | 50-1069 | 50-1075 |
| 9 | Bar Handle | 1 | 50-0571 | 50-0627 |
| 10 | Handle Pin | 1 | 50-0579 | 50-0579 |
| 5 | Stem } Assembly | 1 | FACTORY | FACTORY |
| 6 | | | | |

SAFE OPERATION

Hansen valves are only for refrigeration systems. Read these instructions completely before selecting, using or servicing these valves. Only knowledgeable, trained refrigeration mechanics should install, operate, or service these valves. Stated temperature and pressure limits should not be exceeded. Packing nuts should not be removed from valves unless system has been evacuated to zero pressure and goggles are worn. See also Safety Precautions in current List Price Bulletin and Safety Precautions Sheet supplied with product. Escaping refrigerant might cause personal injury, particularly to the eyes and lungs.

WARRANTY

Hansen valves are guaranteed against defective materials or workmanship for one year F.O.B. our plant. No consequential damages or field labor is included.

HANSEN TECHNOLOGIES CORPORATION

6827 High Grove Boulevard
Burr Ridge, Illinois 60521 U.S.A.
Telephone: (630) 325-1565
Toll-free: 1-800-426-7368
FAX: (630) 325-1572