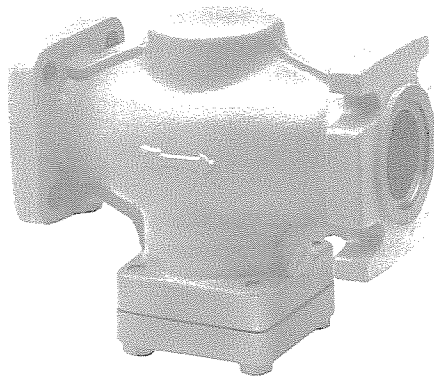


HANSEN TECHNOLOGIES CORPORATION



2" Strainer: ST200



INTRODUCTION

These rugged, refrigerant strainers (filters) are designed to remove foreign materials, like dirt and weld slag, from refrigeration systems. Strainers help prevent damage to valves and other components, and thereby reducing costly service and downtime. Strainers are usually close-coupled to solenoid valves, pressure regulators and other flanged valves. See also Bulletin HP782 for information on Hansen's filter system.

ORDERING INFORMATION

CAT NO.	FOR VALVE SIZE (mm)	FLANGE STYLE AND SIZES			
		CONNECTIONS AVAILABLE			
		FPT, SW, WN		ODS	
		STD	ALSO	STD	
ST050	1/2" (13)	1/2"	1/4"	5/8"	
	5/32" (4)				
ST100	3/4" (20)	3/4"	1", 1 1/4"	7/8"	
	1" (25)	1"	3/4", 1 1/4"	1 1/8"	
	1 1/4" (32)	1 1/4"	3/4", 1"	1 3/8"	
ST200	1 1/2" (40)	1 1/2"	2"	1 5/8"	
	2" (50)	2"	1 1/2"	2 1/8"	
ST250	2 1/2" (65)	2 1/2"	3"	2 5/8"	
ST300	3" (80)	3"	--	3 1/8"	
ST400	4" (100)	4"	--	4 1/8"	
STW500	5" (125)	5" WN ‡	--	--	
STW600	6" (150)	6" WN ‡	--	--	

‡Integral butt weld end only

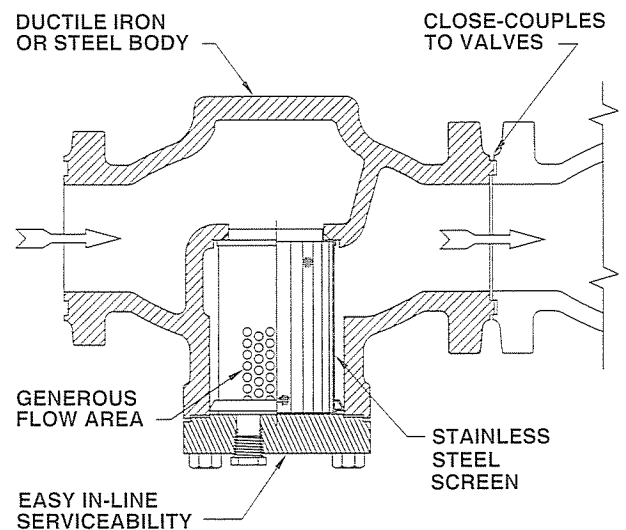
TO ORDER: Specify catalog number and if strainer will be close-coupled to valve or installed as a separate unit. If it will be a separate unit, also specify flange connection style and size.

Specifications, Applications, Service Instructions & Parts

ST STRAINERS (FILTERS)

1/2" thru 6"
(13 mm thru 150 mm)
for refrigerants

KEY FEATURES



MATERIAL SPECIFICATIONS

Body: 1/2" through 4": Ductile iron, ASTM A536, (nodular iron GGG-40), 65,000 psi tensile
5" and 6": Cast steel, ASTM A352

Bottom Cover: 1/2": Steel, ASTM 108

3/4" through 1 1/4": Ductile iron, ASTM A536

1 1/2" through 6": Steel, ASTM A36

Drain Plug: Standard on 1 1/2" through 4" (1/2" NPT)
5" & 6" (3/4" NPT)

Optional on 3/4" through 1 1/4" (1/4" NPT)

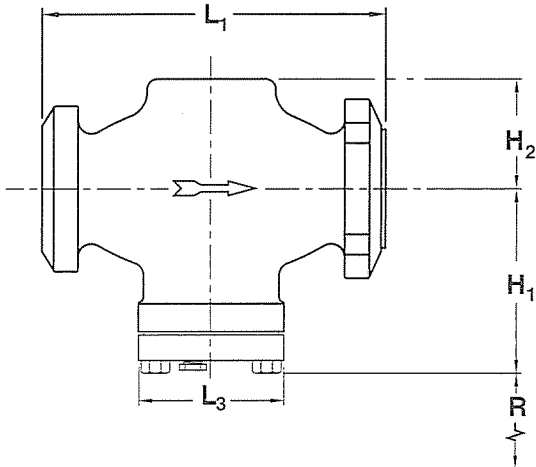
Screen: Stainless steel, 60 mesh (233 micron rating)

Gaskets: Nonasbestos, graphite composite

Safe Working Pressure: 400 psig (27 bar)

Operating Temperature: -60F to +240F (-50 to +115°C)

INSTALLATION DIMENSIONS (mm)



CAT NO.	H ₁	H ₂	L ₁	L ₃	R	W	Screen Area in ² (cm ²)
ST050	3.32" (84)	0.68" (17)	2.03" (52)	1.38" (35)	3.00" (76)	2.03" (52)	5.40" (35)
ST100	5.15" (130)	1.56" (40)	3.75" (95)	4.59" (117)	3.00" (76)	4.59" (117)	63.00" (407)
ST200	5.34" (136)	2.79" (71)	9.88" (251)	4.25" (108)	4.00" (102)	4.58" (116)	84.50"
ST250	6.10" (155)	3.62" (92)	9.88" (251)	5.38" (137)	4.50" (114)	5.62" (143)	134.50" (868)
ST300	6.56" (167)	4.06" (103)	12.25" (311)	5.38" (137)	4.75" (121)	6.50" (165)	134.50" (868)
ST400	7.38" (187)	4.73" (120)	14.12" (359)	6.75" (171)	5.75" (146)	8.06" (205)	219.00" (1413)
STW500	14.34" (364)	6.40" (163)	20.40" (518)	12.75" (324)	8.00" (203)	12.75" (324)	536.50" (3462)
STW600	14.34" (364)	6.40" (163)	20.40" (518)	12.75" (324)	8.00" (203)	12.75" (324)	536.50" (3462)

W = Maximum width of strainer body
R = Clearance for screen assembly removal

SERVICE AND MAINTENANCE

Before opening a strainer or any other component, be sure it is isolated from the system, and all refrigerant is removed (pumped out to zero pressure). The 1/2" through 6" strainers have a drain plug in the bottom cover for connecting a drain valve and hose for proper and safe removal of any trapped liquid refrigerant before opening the strainer for inspection. The drain plug is an option on 3/4" through 1 1/4" strainers. Repeated inspection of strainers during system start-up or repairs is essential for optimum benefit.

Screen Removal and Cleaning: Be careful to avoid any refrigerant which may still be in the strainer. For the 1/2" strainer, slowly remove the hex bottom cap, then remove the screen assembly. For 3/4" through 6" strainers, loosen the bottom cover bolts and bottom cover, check for refrigerant presence, and then remove the bolts, cover, and screen assembly. Clean the screen assembly with a good solvent, blow dry, and inspect. If the screen is damaged or sediment cannot be removed from the screen, replace the screen assembly. Carefully align the screen assembly in the center of the strainer body and replace the bottom cover. Pressure test for leaks before returning to service.

CAUTION

Hansen strainers are for refrigeration systems only. Read these instructions and related safety precautions completely before selecting, using, or servicing these strainers. Only knowledgeable, trained refrigeration mechanics should install, operate, or service these strainers. Stated temperature and pressure limits should not be exceeded. The bottom cover should not be removed from strainers unless the system has been evacuated to zero pressure. See also Safety Precautions in the current List Price Bulletin and the Safety Precautions Sheet supplied with the product. Escaping refrigerant can cause injury, particularly to the eyes and lungs.

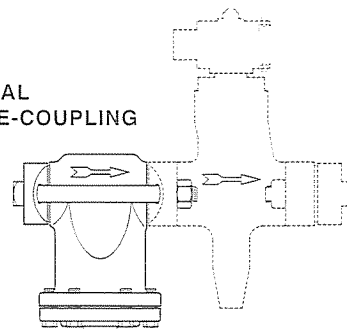
WARRANTY

Hansen strainers and valves are guaranteed against defective materials or workmanship for one year F.O.B. our plant. No consequential damages or field labor is included.

REPLACEMENT SCREEN KITS

DESCRIPTION	QTY	PART NO.
Screen Kit for ST050 Consists of:		78-1001
Screen Assembly	1	78-0005
Bottom Cap Gasket	1	78-0016
Screen Kit for ST100 Consists of:		78-1003
Screen Assembly	1	78-0028
Bottom Cover Gasket	1	78-0026
Screen Kit for ST200 Consists of:		78-1005
Screen Assembly	1	78-0052
Bottom Cover Gasket	1	75-0196
Screen Kit for ST250 Consists of:		78-1006
Screen Assembly	1	78-0040
Bottom Cover Gasket	1	75-0128
Screen Kit for ST300 Consists of:		78-1007
Screen Assembly	1	78-0054
Bottom Cover Gasket	1	75-0128
Screen Kit for ST400 Consists of:		78-1008
Screen Assembly	1	78-0057
Bottom Cover Gasket	1	75-0234
Screen Kit for STW500 & STW600		78-1009
Screen Assembly	1	78-0071
Bottom Cover O-Ring, Inner	1	75-0605
Bottom Cover O-Ring, Outer	1	75-0606

TYPICAL
CLOSE-COUPLING



HANSEN TECHNOLOGIES CORPORATION

6827 High Grove Boulevard
Burr Ridge, Illinois 60521 U.S.A.
Telephone: (630) 325-1565
Toll-free: 1-800-426-7368
FAX: (630) 325-1572