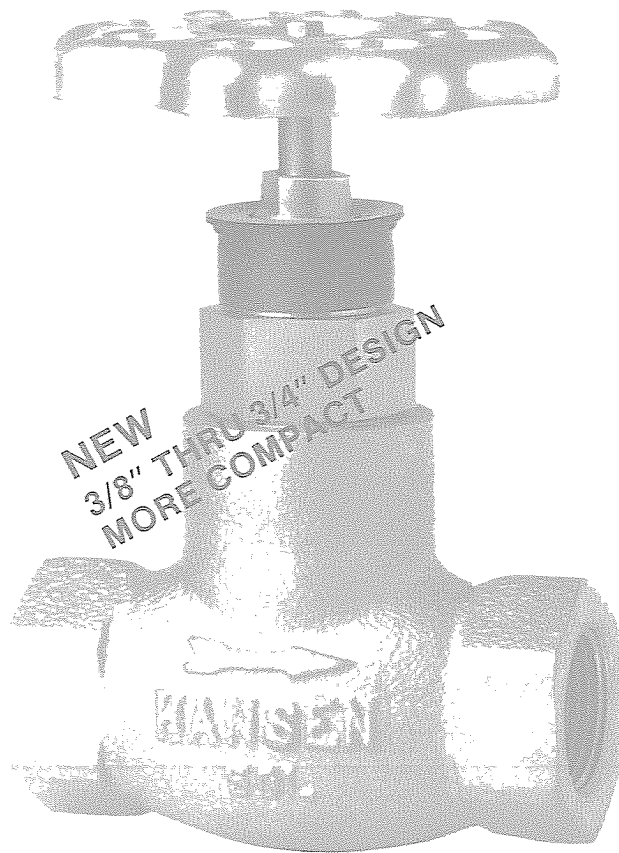


HANSEN TECHNOLOGIES CORPORATION



3/4" Globe Valve: GT076H

INTRODUCTION

The advanced design and materials of Hansen threaded refrigerant shut-off valves make them far superior to commonly available products, especially in regard to non-leakage of seats, stems, and bonnets. Anyone who has experienced the failure of a shut-off valve at a crucial time will take care to insist upon these highly reliable valves.

APPLICATIONS

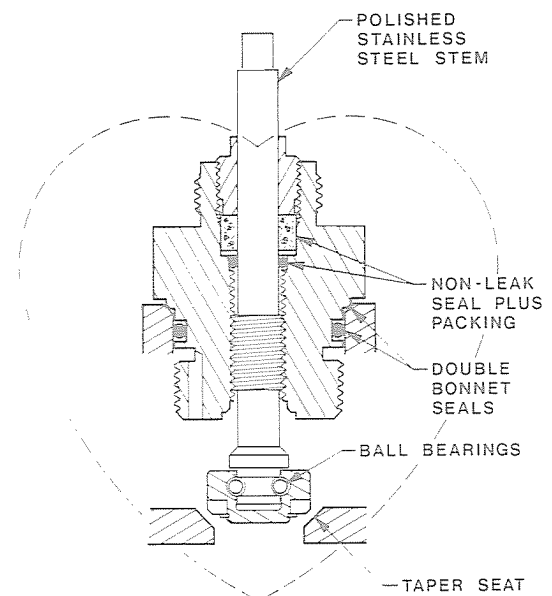
Hansen refrigeration valves are ideal for shut-off of liquid, suction, discharge, recirculating liquid, hot gas, and oil lines. When used with seal caps, these valves are also suitable for refrigerants R12, R22 and R502 in steel piping systems where threaded joints are desired. Valves can be ordered initially with seal caps or valves can be converted later by removal of handwheel and plastic bonnet thread cap and installation of seal cap with its O-ring.

Specifications, Applications, Service Instructions & Parts

THREADED SHUT-OFF VALVES

3/8" thru 1 1/4" FPT
Globe & Angle
for refrigerants

KEY FEATURES



ADDITIONAL FEATURES

- Perfected for ammonia refrigeration
- Removable disc on conical polished seat
- 400 PSIG working pressure
- Temperature range: -60F to 240F
- Back seating for packing replacement
- Globe and angle available
- Handwheel or seal cap versions
- U.S. Patent #4,550,896
- Converts to Expansion Valve
- Individually packaged and labeled
- Non-asbestos gaskets
- Made entirely in U.S.A.