

HANSEN TECHNOLOGIES CORPORATION

Refrigerant Float Switches For Ammonia, R-12, R-22, R-502 And Similar Liquids

FEATURES

Rugged 10 ampere switching capacity eliminates most switch burnouts due to overloads.

Transparent hermetic switch housing assembly prevents air and dirt entry as well as tampering.

High strength, large diameter ball stem eliminates potential stem bending or breakage.

Springs at top and bottom of float chamber prevent float ball damage caused by gas surges.

Optional switch housing heater prevents moisture penetration in humid environments.

Float switches as well as tank assemblies are exactly interchangeable with R/S LL Series float switches.

CSA certification available for Canada.

ADVANTAGES

The Hansen refrigerant liquid level float switch (HLL Series) is used to electrically indicate or control a liquid level by opening or closing a SPDT switch. Its simple, reliable design provides long life performance for almost any application. Innovative features make these float switches the superior selection. To overcome the most common reason for existing float switch failure, switch burnout, a heavy duty 10 amp snap action Honeywell SPDT Micro Switch® is used. This switch is sealed in a clear housing to allow visual confirmation of switch action but protection from tampering. In addition, the switch is surrounded by an inert gas which provides an environment which inhibits corrosion. For ease of installation, switch assembly position rotates 360°. If the switch assembly should ever need to be replaced, it simply lifts off the top of the tank assembly, not requiring the refrigeration system to be opened.

Tank assembly is rugged, steel bodied with unique combination 3/4" FPT/1" Butt Weld connections. Inside, a high pressure tested float ball moves up and down via a large diameter stem. Its movement is accurately guided by the attractor and an alignment guide. Therefore, the float ball assembly is not subject to the common, adverse effects of normal oil and sludge build-up on the tank interior walls. A deflector plate across the inlet of the tank assembly protects the float ball against sudden surges and provides smoother operation. In addition, lower and upper cushioning springs provide improved protection for the float ball. A standard 2" differential prevents most short cycling due to momentary changes in liquid level; other differentials down to 1/2" are available. Because the tank assembly is one piece, it eliminates leaky gasket potential as well as tampering.

APPLICATIONS

- Level control via liquid fill solenoid valve
- High level cut-out or alarm
- Low level cut-out or alarm
- Low level pump cut-out
- Level control via liquid exit solenoid valve
- Level indicator via pilot light
- Transfer Drum operation



SPECIFICATIONS

Safe Working Pressure: 400 PSIG

Operating Temperature: -50°F to +150°F

Connections: 3/4" FPT/1" Butt Weld combination

ORDERING INFORMATION

Cat. No.	Description	Weight
HLL	Standard Float Switch with side and bottom connections	12 lbs
HLLS	Universal Float Switch with 2 side & 1 bottom connection	13 lbs
HLLC	HLL with protective metal cover	13 lbs
HLLSC	HLLS with protective metal cover	14 lbs
HLLSW	Switch Assembly only (fits all above & R/S LL Float Switches)	2 lbs
COV	Metal Cover Only (fits all HLL)	1 lb
HTR1*	10 Watt 115V Heater (fits all HLL)	1 lb
HTR2*	10 Watt 230V Heater (fits all HLL)	1 lb

*To order float switch with heater, add H suffix. Example: HLLH and specify voltage.

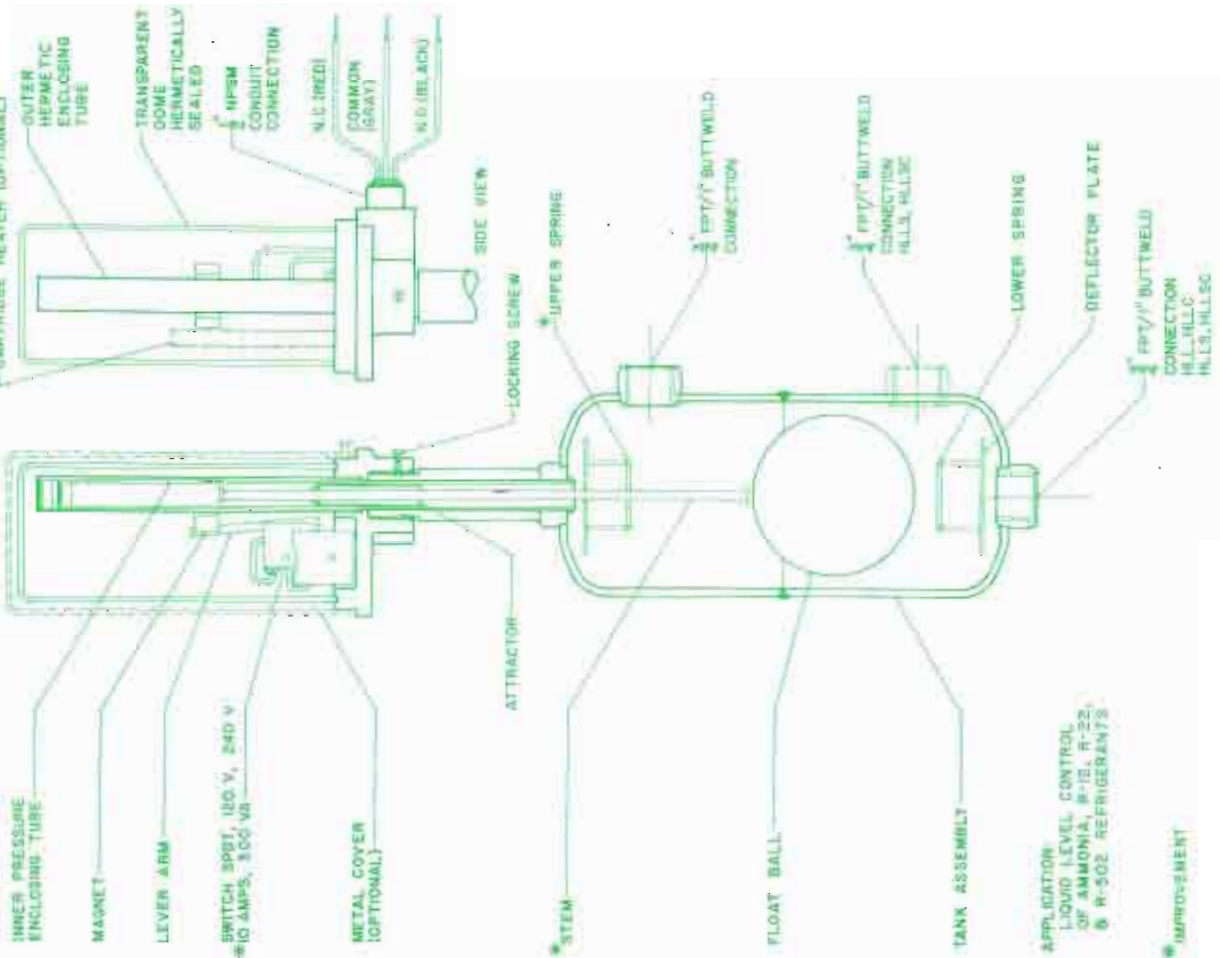
TO ORDER: Specify Catalog Number.

HANSEN TECHNOLOGIES CORPORATION

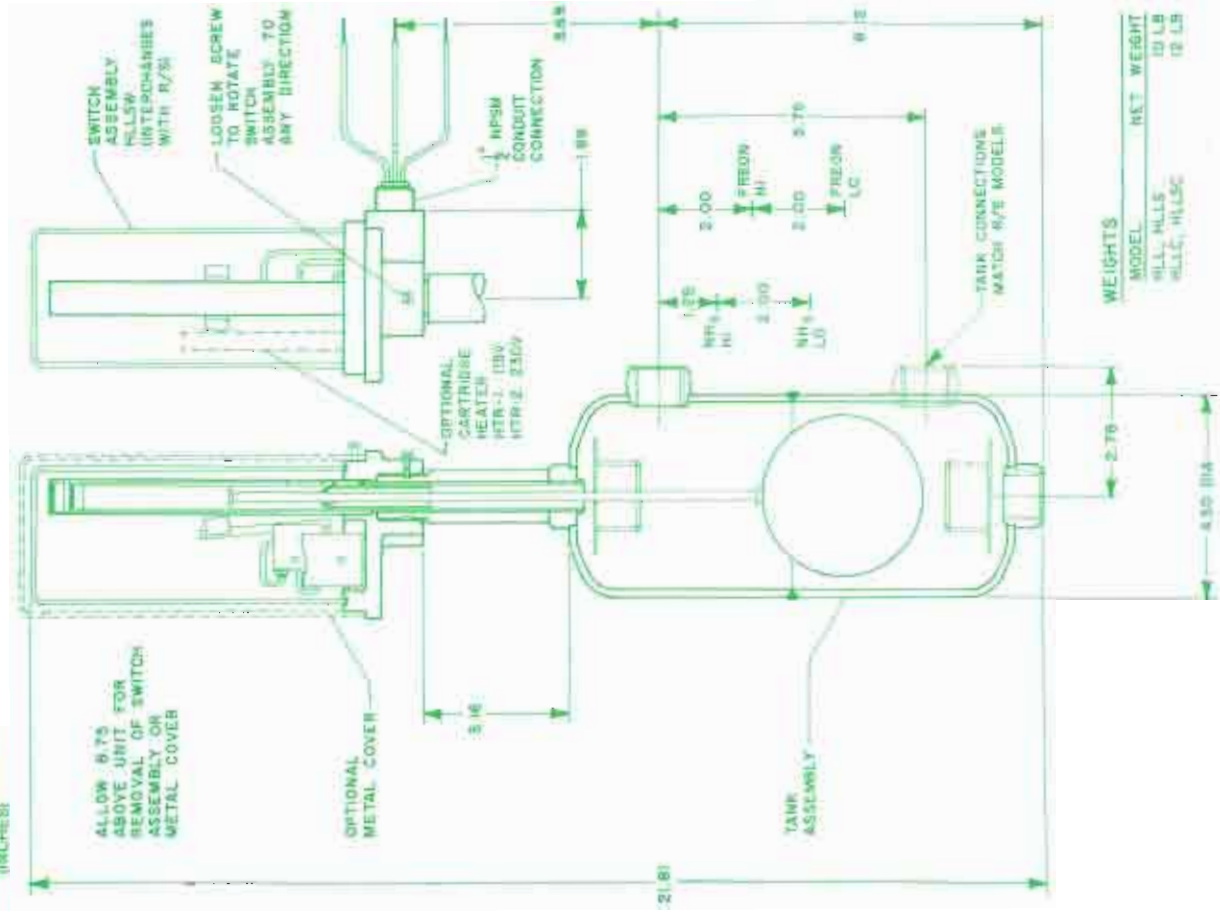
129 West 63rd Street
Burr Ridge, Illinois 60521 U.S.A.
Telephone: (708) 325-1565
Outside IL: 1-800-426-7368
FAX: (708) 325-1572

Refrigerant Float Switch

FEATURES



DIMENSIONS (INCHES)



APPLICATION:
 LIQUID LEVEL CONTROL
 OF AMMONIA, R-7E, R-22,
 & R-502 REFRIGERANTS

IMPROVEMENT