

Refrigerant Float Switches for Ammonia, R22, R134a and Other Approved Liquids

ADVANTAGES

The Hansen refrigerant liquid level float switch (HLL Series) is used to electrically indicate or control a liquid level by opening or closing a SPDT switch. Its simple, reliable design provides long life performance for almost any application. Innovative features make these float switches the superior selection. To overcome the most common reason for existing float switch failure, switch burnout, a heavy duty 10 amp snap action Honeywell SPDT Micro Switch® is used. This switch is sealed in a clear housing to allow visual confirmation of switch action but protection from tampering. In addition, the switch is surrounded by an inert gas which provides an environment which inhibits corrosion. For ease of installation, switch assembly position rotates 360°. If the switch assembly should ever need to be replaced, it simply lifts off the top of the tank assembly, not requiring the refrigeration system to be opened. Optional switch housing heater prevents moisture penetration in humid environments.

Tank assembly is rugged, steel bodied with unique combination 3/4" FPT / 1" Butt Weld connections. Inside, a high pressure tested float ball moves up and down via a large diameter stem, overcoming potential bending or breakage. Its movement is accurately guided by the attractor and an alignment guide. Therefore, the float ball assembly is not subject to the common, adverse effects of normal oil and sludge build-up on the tank interior walls. A deflector plate across the inlet of the tank assembly protects the float ball against sudden surges and provides smoother operation. In addition, lower and upper cushioning springs provide improved protection for the float ball. A standard 2" (50 mm) differential prevents most short cycling due to momentary changes in liquid level; other differentials down to 0.5" (13 mm) are available. Because the tank assembly is one piece, it eliminates leaky gasket potential as well as tampering.

APPLICATIONS

- Level control via liquid fill solenoid valve
- High level cut-out or alarm
- Low level cut-out or alarm
- Low level pump cut-out
- Level control via liquid exit solenoid valve
- Level indicator via pilot light
- Transfer Drum operation

ADDITIONAL FEATURES

Float switches as well as tank assemblies are exactly interchangeable with R/S LL Series float switches.

CSA Certified.



SPECIFICATIONS

- Safe Working Pressure: 400 PSIG (27 bar)
- Operating Temperature: -50F to +150F (-45.6 to +65.6°C)
- Connections: 3/4" FPT / 1" Butt Weld combination
- Specific Gravity: 0.57 to 1.70

ORDERING INFORMATION

Cat. No.	Description	Wt. Lbs.
HLL	Standard Float Switch with Side & Bottom Connections	12
HLLS	Universal Float Switch with 2 Side & 1 Bottom Connections	13
HLLC	HLL with Protective Metal Cover	13
HLLSC	HLLS with Protective Metal Cover	14
HLLSW	Switch Assembly Only, Hermetic (fits all above & R/S LL Float Switches)	2
E	European DIN Plug construction on any of above (Add E suffix)	1
COV	Metal Cover Only (Fits HLL)	1
HTR1*	10 Watt 115V Heater (Fits HLL)	1
HTR2*	10 Watt 230V Heater (Fits HLL)	1

*To order float switch with heater, add H suffix; Example: HLLH and specify voltage. Heater can also be retrofitted.

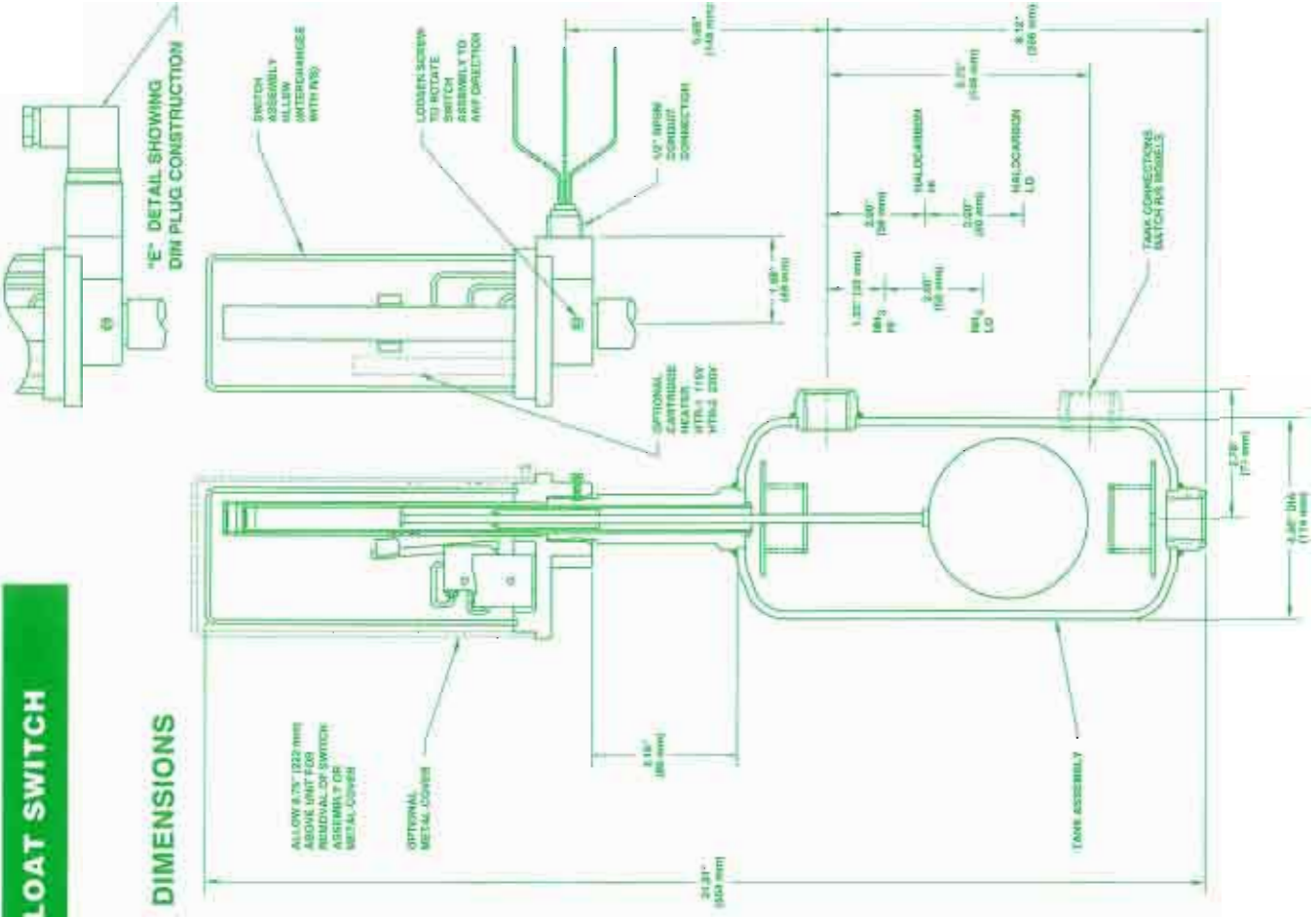
TO ORDER: Specify Catalog Number.

HANSEN TECHNOLOGIES CORPORATION

6827 High Grove Boulevard
Burr Ridge, Illinois 60521 U.S.A.
Telephone: (708) 325-1565
Toll-free: 1-800-425-7368
FAX: (708) 325-1572

REFRIGERANT FLOAT SWITCH

DIMENSIONS



KEY FEATURES

