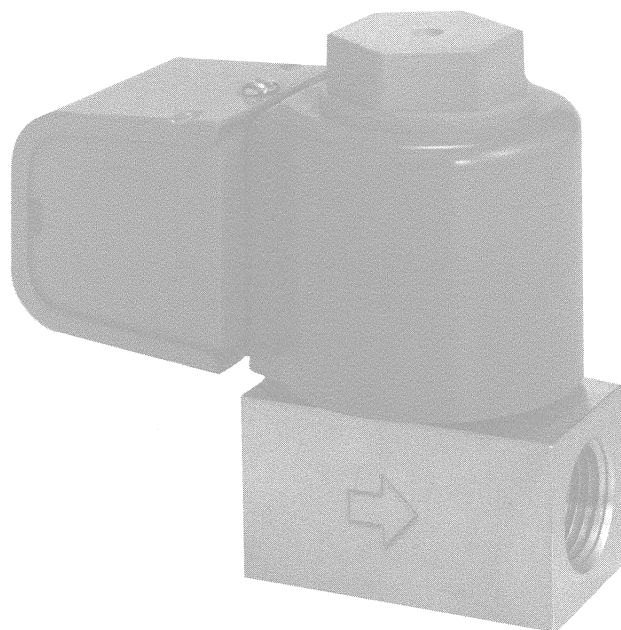


HANSEN TECHNOLOGIES CORPORATION



HS2 Solenoid Valve

INTRODUCTION

This threaded industrial refrigeration duty solenoid valve is very simple and compact but rugged in construction. Body is zinc plated steel alloy while direct lifting stainless steel plunger contains teflon seat which closes upon stainless steel orifice. When electrically energized, seat opens wide; when de-energized, it closes to stop flow in the arrow direction on the valve body.

APPLICATIONS

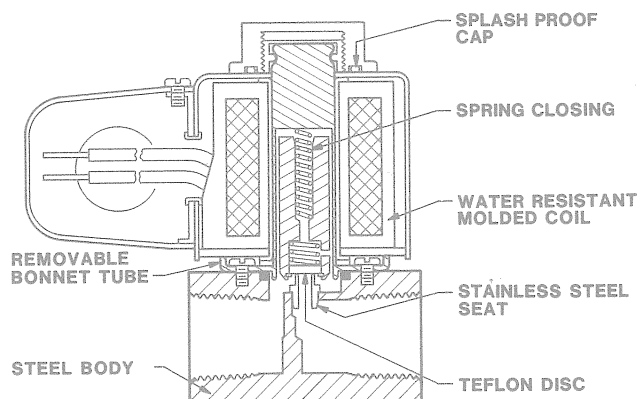
This small, direct lifting valve is used primarily as a pilot for various larger gas-powered or liquid powered main valves, as a remote pilot for back pressure regulators or other devices, or as a liquid stop valve for small thermal expansion valves, float valves, or hand expansion valves, or as a general purpose pilot line for ammonia, R12, R22, R502, or oil.

Specifications, Applications, Service Instructions & Parts

HS2 SOLENOID VALVE 5/32" PORT

Screw End
1/4", 3/8", 1/2"
for refrigerants

KEY FEATURES



ADDITIONAL FEATURES

Compact, low cost
Molded Hansen standard coil
300 PSI MOPD
Teflon seat
Stainless steel orifice
Heavy duty, direct lift

MATERIAL SPECIFICATIONS

Body: steel, zinc plated
 Bonnet: stainless steel
 Plunger: stainless steel
 Seat orifice: stainless steel
 Seat: teflon

ADVANTAGES

Power saving, low-wattage molded coil; teflon seat; stainless steel trim; spring-closing.

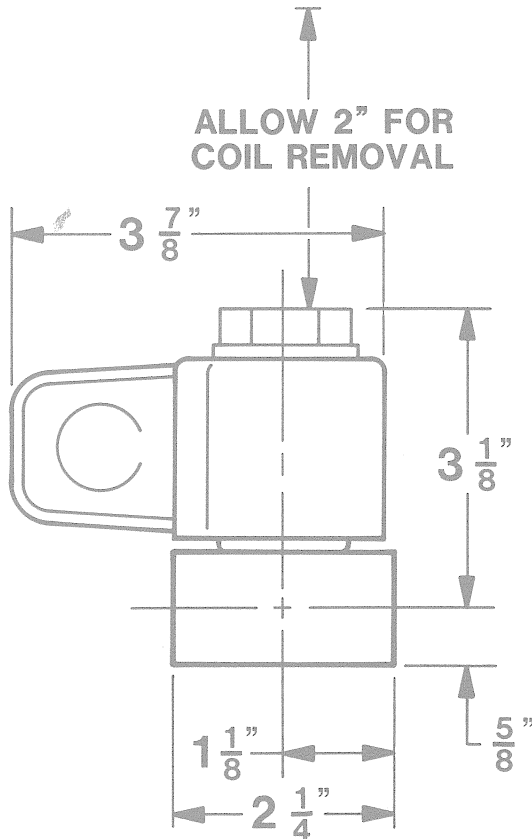
INSTALLATION

Match arrow on valve body with system flow direction. Protect interior of valve from dirt during installation. Check mating pipe threads for cleanliness and accuracy before installing. Use small quantity of pipe dope on pipe threads. Use flat jaw wrench on body close to pipe, being careful not to damage pipe threads with pipe wrench jaws. Allow 2" above valve for coil removal.

ELECTRICAL

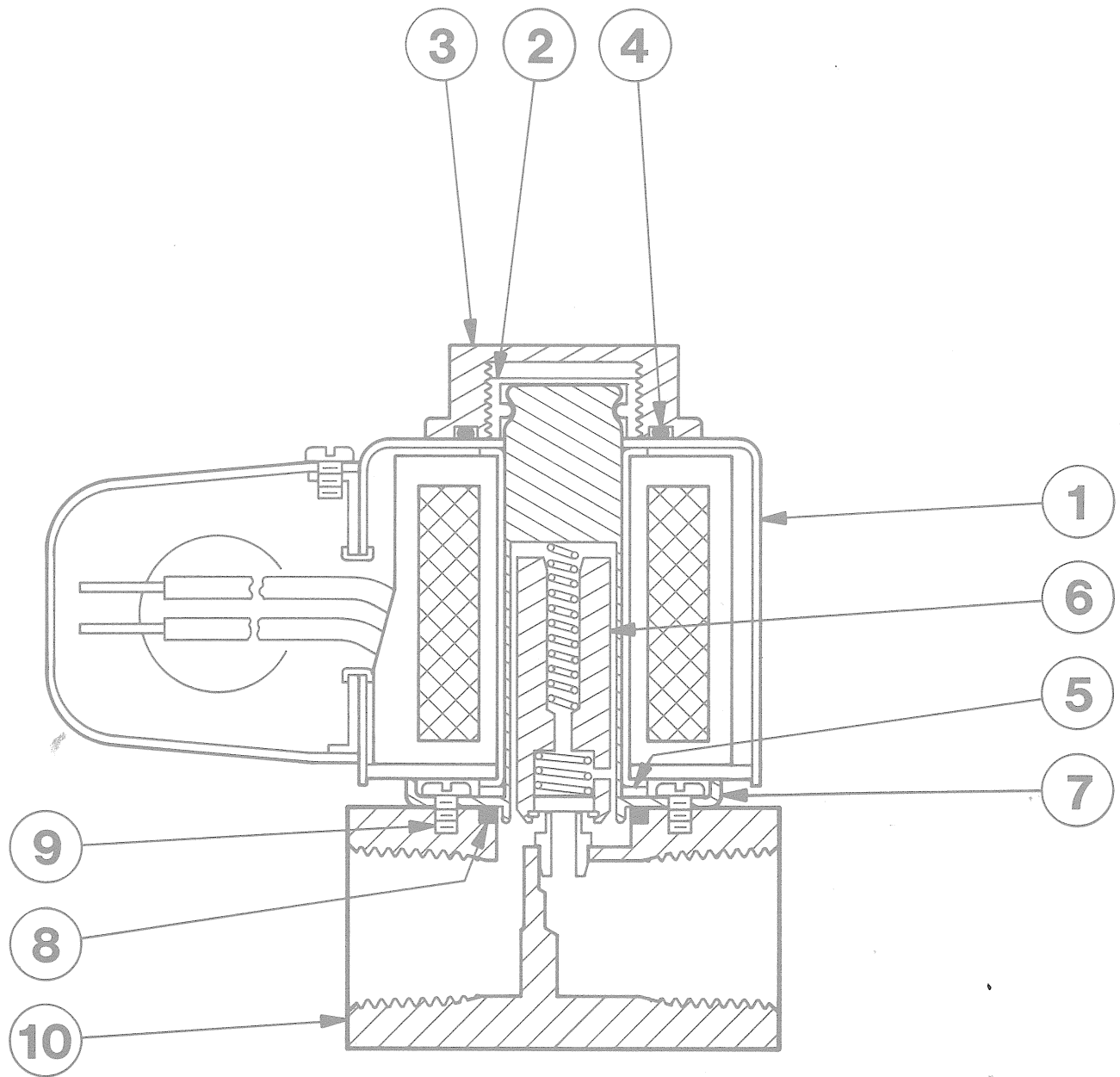
The coil draws 14.5 watts and will operate properly between 85% and 110% of rated voltage. Pilot lights are available.

INSTALLATION DIMENSIONS



PARTS LIST

ITEM	DESCRIPTION	QTY	PART NO.
	COIL KIT (110-120V)		70-1008
	COIL KIT (208-240V)		70-1009
	COIL KIT (OTHER VOLTAGES)		FACTORY
	Above kits consist of:		
1a	110-120V Coil	1	18Z7502
1b	208-240V Coil	1	18Z7501
1c	OTHER VOLTAGE COILS	1	FACTORY
2	Split Threaded Retainer	1	32U7397
3	Coil Cap	1	32U7403
4	Coil Cap O-Ring	1	35-0027
5	Split Washer Spacer	1	32U1339
	PLUNGER KIT consists of:		70-1010
6	Plunger	1	32F0031
7	Solenoid Tube	1	32F0034
8	Solenoid Tube Gasket	1	633L1283
9	Tube Screws	4	681X1565
10a	BODY ASSEMBLY KIT (1/4" FPT) Complete Valve less Coil Kit		70-1013
10b	BODY ASSEMBLY KIT (3/8" FPT) Complete Valve less Coil Kit		70-1014
10c	BODY ASSEMBLY KIT (1/2" FPT) Complete Valve less Coil Kit		70-1015



SERVICE AND MAINTENANCE

Failure to open: wrong coil; low line voltage; controlling switch or thermostat not contacting; coil is burned-out.

Failure to close: controlling switch or thermostat not opening contacts; dirt under seat; eroded seat parts; manual lift stem is open (up).

Before opening the valve for service, be sure it is isolated from the system and all refrigerant is removed. Disconnect the electrical coil. Remove the coil by unscrewing the top cap and prying off the split threaded retainer. Remove the four solenoid tube screws and pry off the solenoid tube from the body.

Check face of teflon seat in plunger, plunger spring, and seat orifice in body. Clean, polish or replace parts as necessary. The seat orifice is integral with the body. Install new solenoid tube gasket and oil lightly. Reassemble solenoid tube to body with four screws. Carefully check the valve for leaks before restoring to service.

SAFE OPERATION

Hansen valves are only for refrigeration systems. These instructions must be read completely before selecting, using or servicing these valves. Only knowledgeable, trained refrigeration mechanics should install, operate, or service these valves. Stated temperature and pressure limits should not be exceeded. Bonnets should not be removed from valves unless system has been evacuated to zero pressure as shown by a pressure gauge. See also Safety Precautions in current List Price Bulletin.

WARRANTY

Hansen valves are guaranteed against defective materials or workmanship for one year F.O.B. factory. No consequential damages or field labor is included.

ORDERING INFORMATION, HS2 SOLENOID VALVE

Screw End Connections	
STD	ALSO
1/2"	1/4", 3/8"

Standard molded solenoid is included for 60 Hz 208/230, 120 or 24 volts; other voltages available.

TO ORDER: Specify screw end connection size, volts, and pilot light if required.

TYPICAL SPECIFICATIONS

"Refrigerant solenoid valves shall have molded, water-tight coils, teflon seats, steel or ductile iron bodies, spring closing pilot and main valve seats, and be suitable for a working pressure of 300 PSIG, as manufactured by Hansen Technologies Corporation or approved equal."

OTHER PRODUCTS

Threaded Hand Shut-Off Valves: 1/2" to 1 1/4"

Welding Steel Valves: 1/2" to 14"

Expansion Valves (Regulators): 1/2" to 6"

Refrigerant Solenoid Valves

Back Pressure Regulators

Refrigerant Check Valves

Refrigerant Float Switches

Refrigerant Pumps

AUTO-PURGERS

HANSEN TECHNOLOGIES CORPORATION

129 West 83rd Street

Burr Ridge, Illinois 60521

Telephone: (312) 325-1565

Outside IL: 1-800-426-7368

Telex:

206851